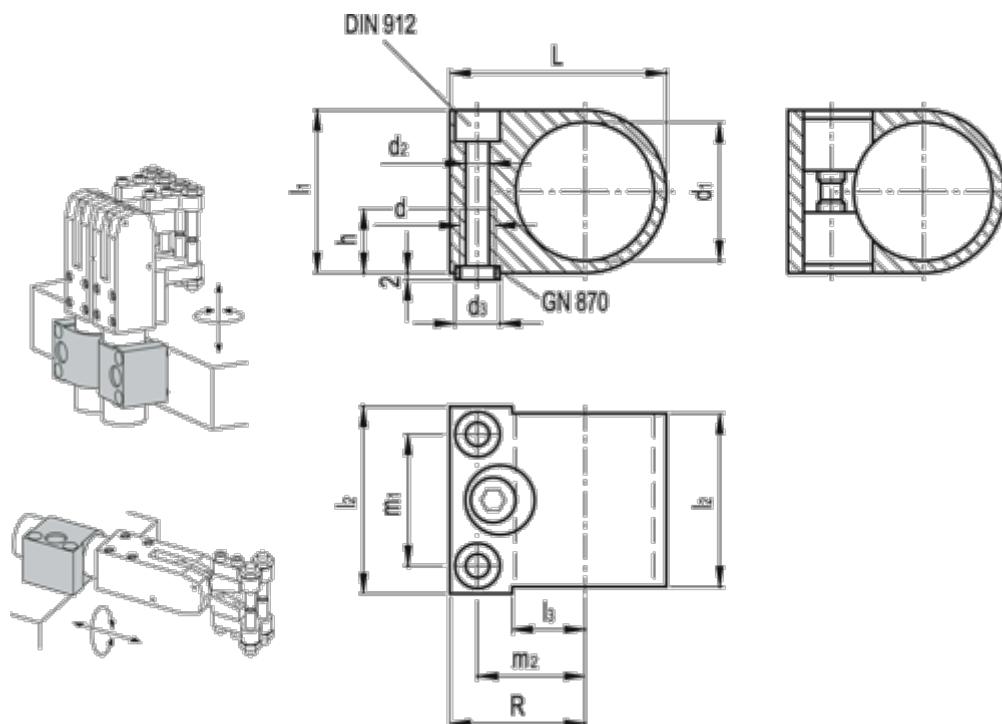


Article number: 201018040

Description: E+G Collar clamp GN 873-50

Measures



d	= M12	l3	= 61
d1	= 50	l4	= 26
d2	= 10.5	m1	= 45
d3 H8/h6	= 16	m2	= 37.5
h	= 21.0	R	= 47
L	= 76.0	Weight (g)	= 810
l1	= 58		
l2	= 64		